



The Life of the Kitchen.®

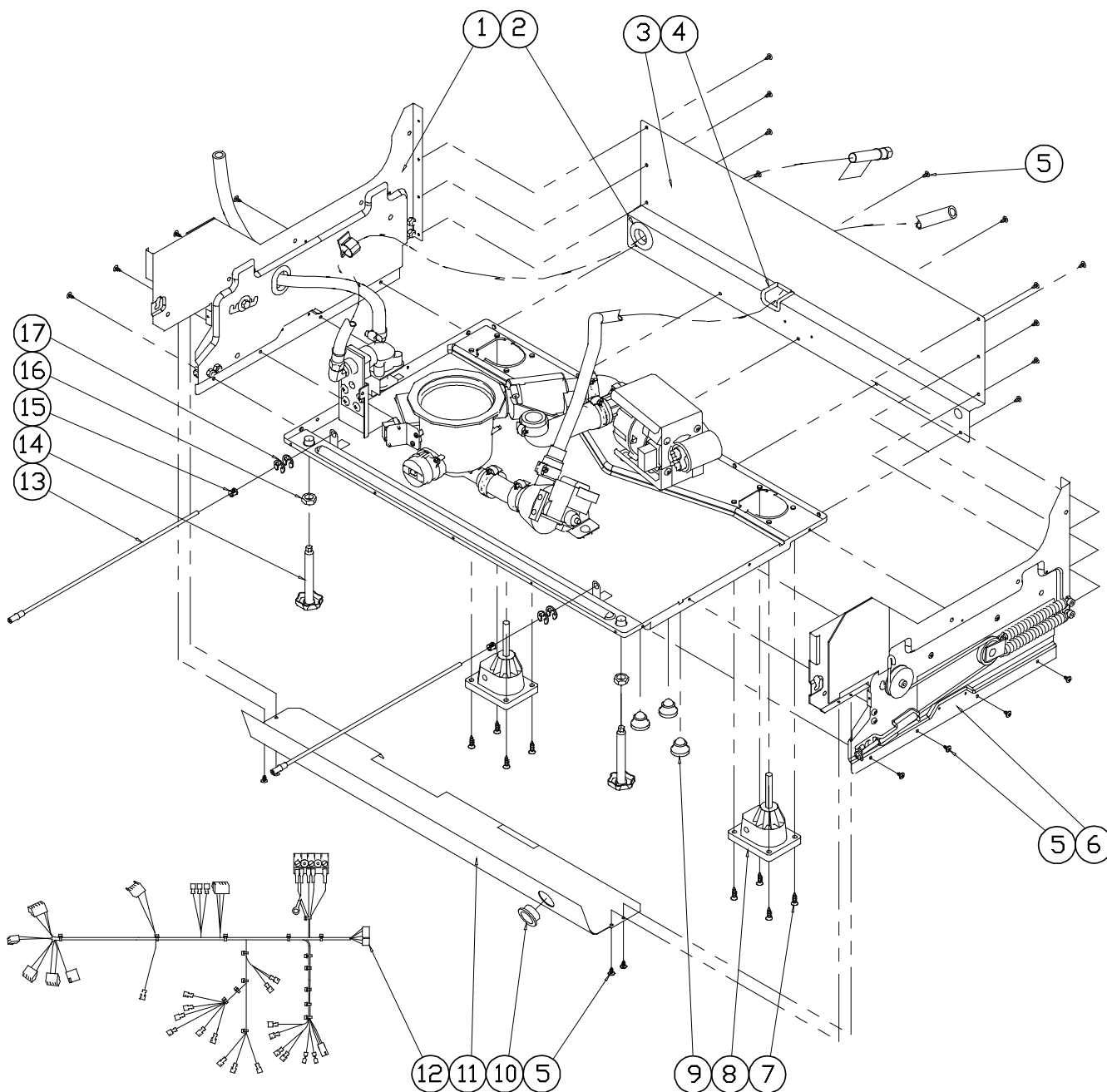
# PARTS CATALOG

## ED/ID30 Dishwashers

Page	Description
2	Overall Base Assembly
3	Base Left Assembly
4	Base Right Assembly
5	Tank Assembly
6	Tank Parts
7	Outer Case Assembly
8	Circulation Pump/Sump Assy.
9	Upper Rack Assembly
10	Lower Rack Assembly
11	Bezel/Control Board Assembly
12	Door Liner Assembly
13	Outer Door Assembly
14	Outer Door Parts

Revised 05-09-2012

# ED/ID30 Dishwasher Base Assembly



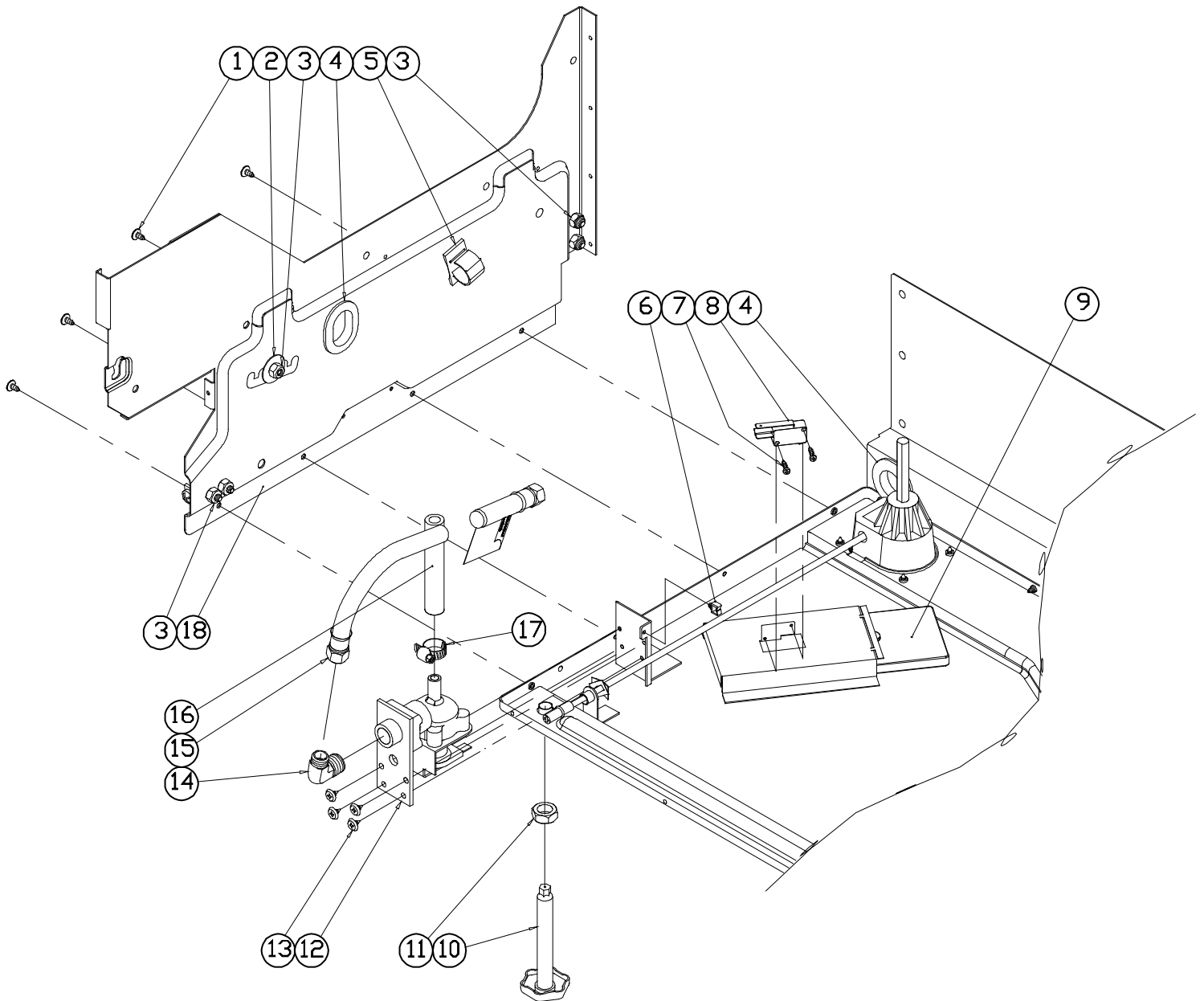
Item	Part #	Description
1	12719	Assy, Base Side, Left
2	83717	Grommet, EDPM, 1 Inch
3	46154	Back Cover
4	13689	Trim Lock Drain
5	83263	Screw, Phil wfr, #8 x 3/8"
6	12718	Assy, Base Side, Right
7	83520	Screw, #10 x 3/4"
8	72110	Rear Leveller

Item	Part #	Description
9	72096	Support Pump
10	83055	Bushing, Snap
11	36953	Brace
12	92270	Wire Harness Base
13	92268 <sup>1</sup>	Adjustment Rod <sup>1</sup>
14	72109	Front Leveler
15	83523	Bushing, Snap 3/8
16	83456	Locknut, Front
17	100652 <sup>1</sup>	E-Ring <sup>1</sup>

<sup>1</sup>Order as kit # 701107, includes items 13 and 17 (Qty. 2).



# ED/ID30 Dishwasher Left Base Assembly

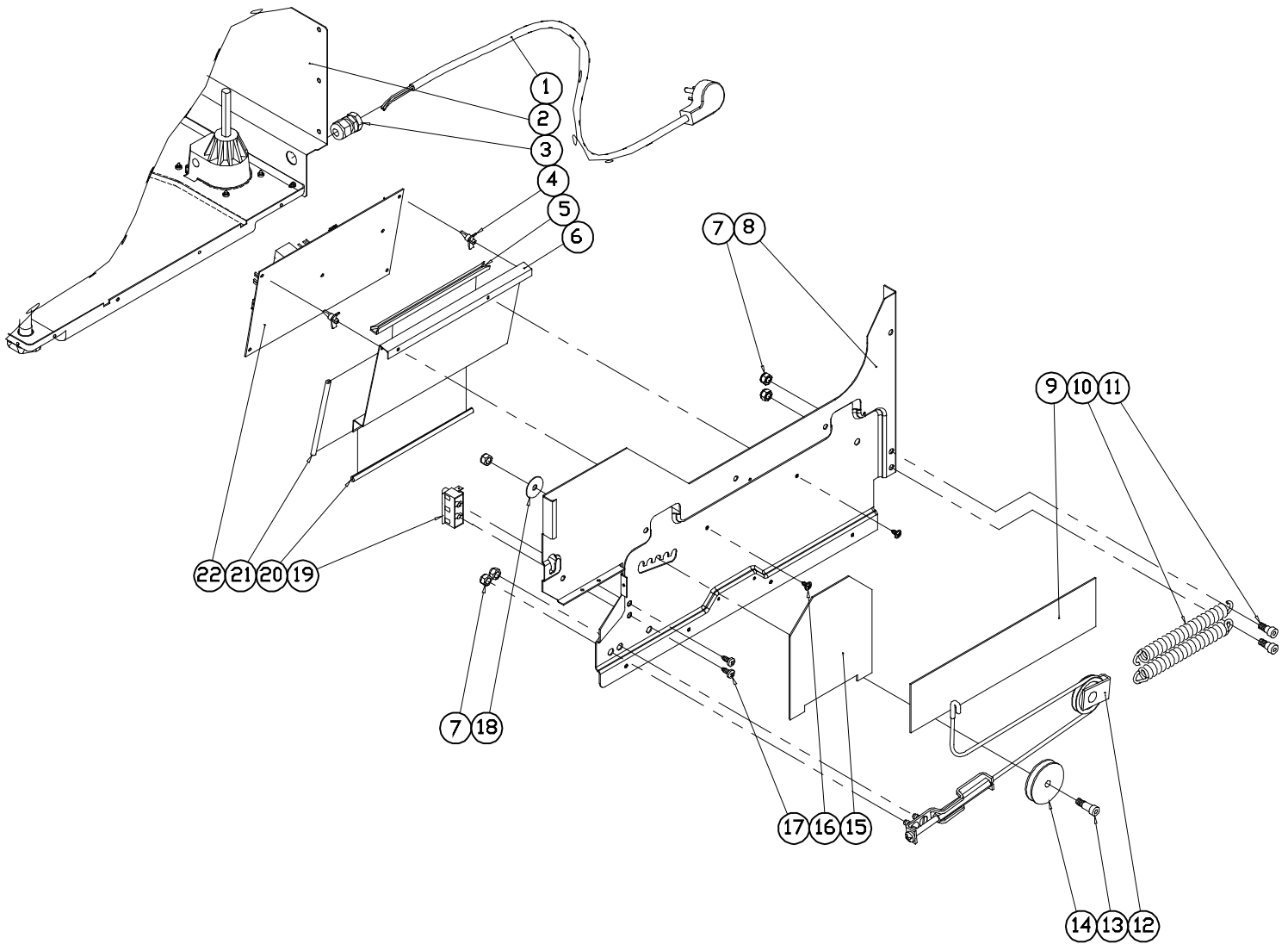


Item	Part #	Description
1	83263	Screw, Phil HD,
2	83647	Washer, 1.0 x .25
3	83582	Nut, Nylon, 1/4-2
4	83717	Grommet, EPDM 1" ID
5	83712	Clip, Heyco, 3849
6	83722	Push In Wire Holder
7	83706	Screw, SM, #4 x .63L
8	92122	Micros-witch
9	92121	Float

Item	Part #	Description
10	72109	Front Leveler
11	83456	Front Lock nut
12	701033 <sup>1</sup>	Assy, Bitron Valve Retrofit Kit <sup>1</sup>
13	83534	Screw, Wafer Head, #8 x 3/8
14	83714	Elbow, 3/8" x 3/8"
15	100492	Hose, Inlet Braised
16	72106	Hose, Inlet Valve to Air Break
17	83639	Clamp - .375 - .50
18	46145	Base Side, Left

<sup>1</sup>Order as kit # 701033, includes item 1 (inlet valve), bracket and 2 screws.

# ED/ID30 Dishwasher Right Base Assembly



Item	Part #	Description
<b>1</b>	72129	Power Supply Cord
<b>2</b>	46154	Back Cover
<b>3</b>	83472	Strain Relief, Power Cord
<b>4</b>	83624	Quick Release Board Mount
<b>5</b>	83623	Card Guide
<b>6</b>	46182	Mounting Plate, Power Board
<b>7</b>	83582	Nylon Nut, 1/4-2
<b>8</b>	46144	Base Side, Right
<b>9</b>	100281	Insulation Spring
<b>10</b>	72497	Hinge Spring
<b>11</b>	83585	Shoulder Bolt, 5/16 x 1/4

Item	Part #	Description
<b>12</b>	13606	Pulley Cable Assy.
<b>13</b>	83581	Shoulder Bolt, 5/16 x 1/2
<b>14</b>	72359	Spring Door Pulley
<b>15</b>	100282	Hinge Insulation
<b>16</b>	83263	Screw, Phil wfr, #8 x 3/8"
<b>17</b>	83433	Screw, 10-32 x 1/2"
<b>18</b>	83647	Washer 1.00 x .25
<b>19</b>	92270	Wire Harness Base
<b>20</b>	13690	Trim Edge, Power Board Bottom
<b>21</b>	13691	Trim Edge, Power Board Side
<b>22</b>	700458 <sup>1</sup>	Power/Control Board Kit <sup>1</sup>

<sup>1</sup>Order as kit # 700458, includes control board and power board.



# ED/ID30 Dishwasher Tank Parts

Item	Part #	Description
1	27701	Assy, Tub, 30"
2	13763	Assy, Filter
3	92104	Filter Inner Assy.
4	72072	Strainer
5	72066 <sup>1</sup>	Sump Locking Nut <sup>1</sup>
6	83687 <sup>2</sup>	Nut, #8-32, SS <sup>2</sup>
7	83704 <sup>2</sup>	Washer, Flat <sup>2</sup>
8	92054	Wash Arm, Lower
9	72464 <sup>1</sup>	Gasket, Sump <sup>1</sup>
10	102343-01 <sup>4</sup>	Slide, Left <sup>4</sup>
11	102343-02 <sup>4</sup>	Slide, Right <sup>4</sup>
12	102495	Gasket, Spacer, Slide
13	83583	Nut, Keps, 1/4-20
14	103224	Guide
15	103225	Nut, Hex, #8-32
16	103226	Button Head CS
17	13847	Sump, Check Valve Assy.

Item	Part #	Description
18	72050	Seal, Door, 30"
19	12580 <sup>3</sup>	Assy, Air Break <sup>3</sup>
20	72367	Water Feed Tube
21	72048	Striker Door Latch
22	72064 <sup>2</sup>	Seal, Lower Wash Arm Fitting <sup>2</sup>
23	92106 <sup>2</sup>	Assy, Lower Wash Arm Fitting <sup>2</sup>
24	72326 <sup>3</sup>	Air Break Seal <sup>3</sup>
25	72555	Assy, Top Sprayer
26	72076 <sup>2</sup>	Nut, Lower Wash Arm Fitting <sup>2</sup>
27	72490	Keeper, Door Latch
28	83522	Screw, #4-40 x 3/8"
29	83595	O-Ring, .125 x .070
30	83598	Screw, M6, Shakeproof
31	83612	Nut, Keps, #10-32, SST
32	83627	Screw, Pan HD Phil
33	83521	Nut, Hex, #4-40
34	106896	Bumper
35	72061 <sup>3</sup>	Locking Ring, Air Break <sup>3</sup>

<sup>1</sup>Order as kit # 700993, includes items 5, 9 and sump.

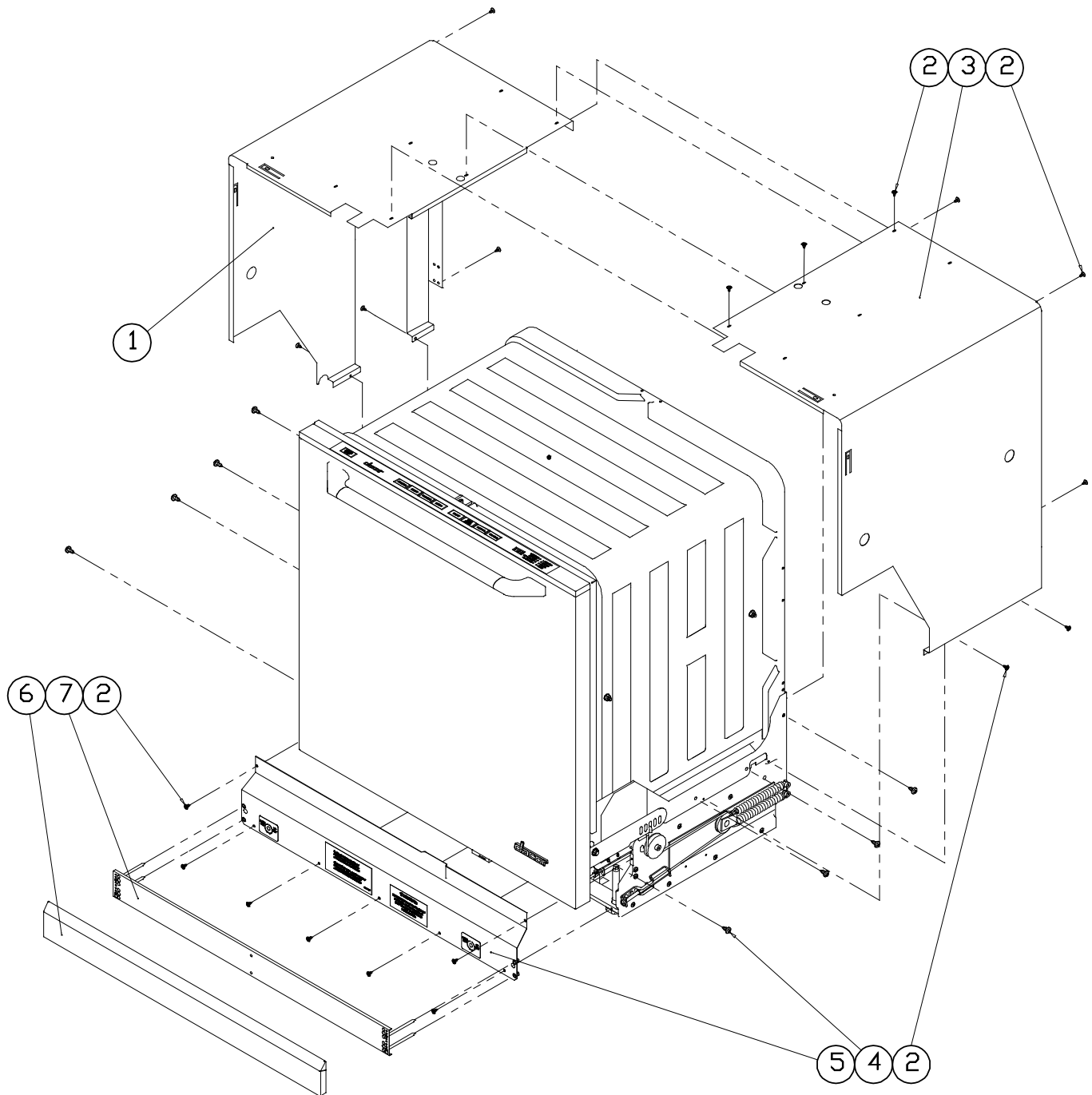
<sup>2</sup>Order as kit # 700996, includes items 6, 7, 22, 23 and 26.

<sup>3</sup>Order as kit #, 700997, includes items 19, 24 and 35.

<sup>4</sup>This part is not used on model ED30 revisions A and B. The upper rack and slides for revision A and B have been redesigned. The above noted versions require replacement of the complete upper rack assembly with slides attached, part number 106543-01. If the rack and slides have not been replaced previously, retro-fit kit part number 106544 is also required to install the new rack/slide assembly.

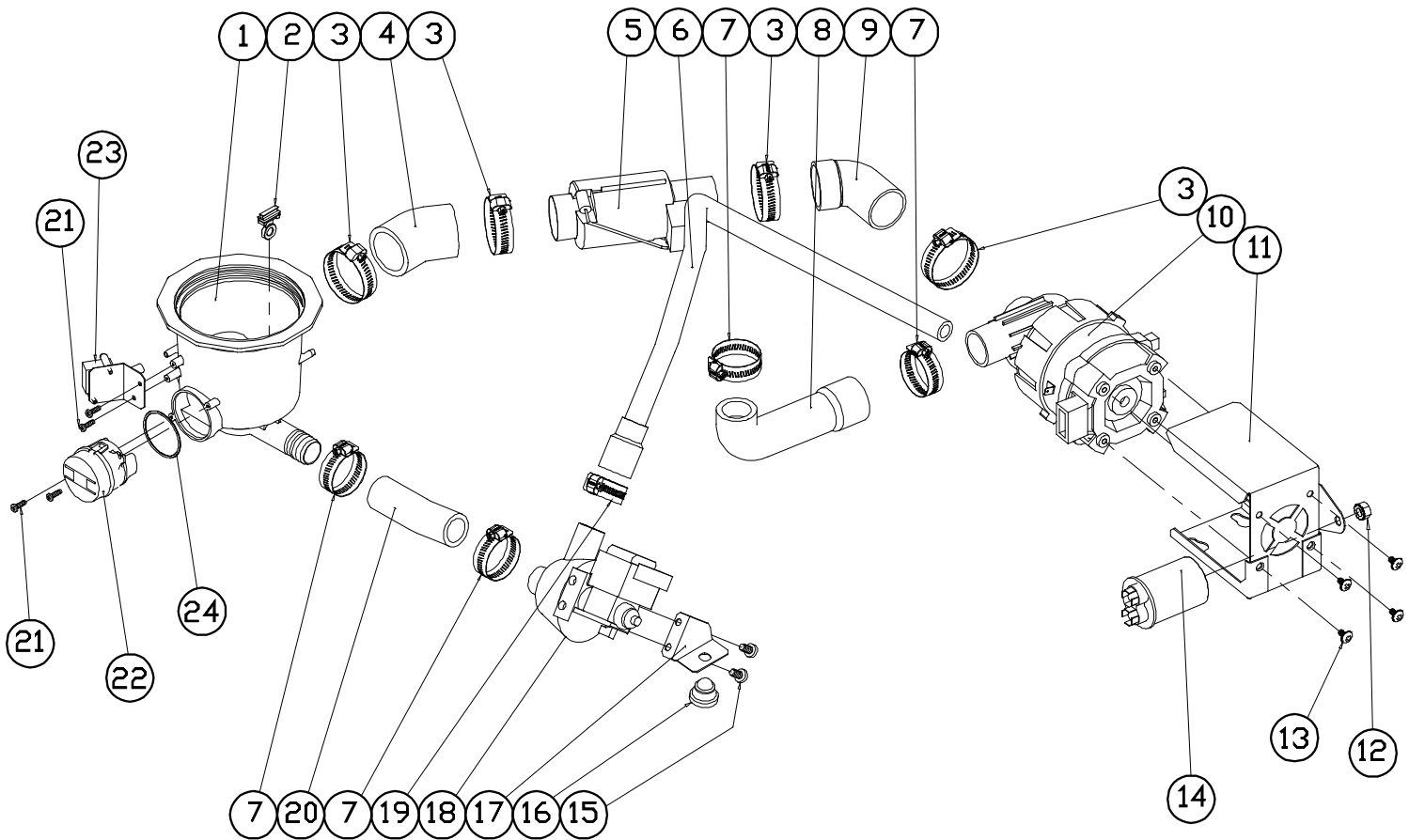
Part #	Description
106543-01	Assy, Rack, Upper, 30", Early Version
106544	Assy, Rack, Retrofit Kit

# ED/ID30 Dishwasher Outer Case Assembly



Item	Part #	Description
1	46303	Case Side, Left
2	83571	Screw, Phil, #8 x 3/8"
3	46301	Case Side, Right
4	83731	Screw, #14 x 1/2"
5	13828	Assy, Base Cover
6	13590	Toe Kick Assy.
7	13522	Toe Kick Mtg. Plt. Assy.

# ED/ID30 Circulation Pump/Sump Assembly



Item	Part #	Description
<b>1</b>	92108 <sup>1</sup>	Sump <sup>1</sup>
<b>2</b>	92259	Valve, Check Sump
<b>3</b>	83457	Clamp 1.00 - 2.00
<b>4</b>	72099	Hose, Sump to Heater
<b>5</b>	72094	Heater
<b>6</b>	72101	Drain Hose
<b>7</b>	83605	Clamp -.75 -1.75
<b>8</b>	92241	Hose, Main Pump to Wash Arm
<b>9</b>	72098	Hose, Heater to Pump
<b>10</b>	72336	Circulation Pump
<b>11</b>	46161	Mounting Bracket
<b>12</b>	83660	Nut, M8-1.25 Keps
<b>13</b>	83609	Screw, #10 x 3/8"

<b>14</b>	72337	Capacitor
<b>15</b>	83655	Screw, M6 x 12 Phil
<b>16</b>	72096	Support Pump
<b>17</b>	38554	Brkt Drain Pump
<b>18</b>	72113	Drain Pump
<b>19</b>	83640	Clamp .50 - 1.25
<b>20</b>	92063	Hose, Sump to Drain
<b>21</b>	83602	Screw, M3.5 x 10
<b>22</b>	13765 <sup>2</sup>	Assy, Turbidity Sensor**
<b>23</b>	100555 <sup>3</sup>	Assy, Pressure Switch Kit <sup>3</sup>
<b>24</b>	92045 <sup>2</sup>	O-Ring

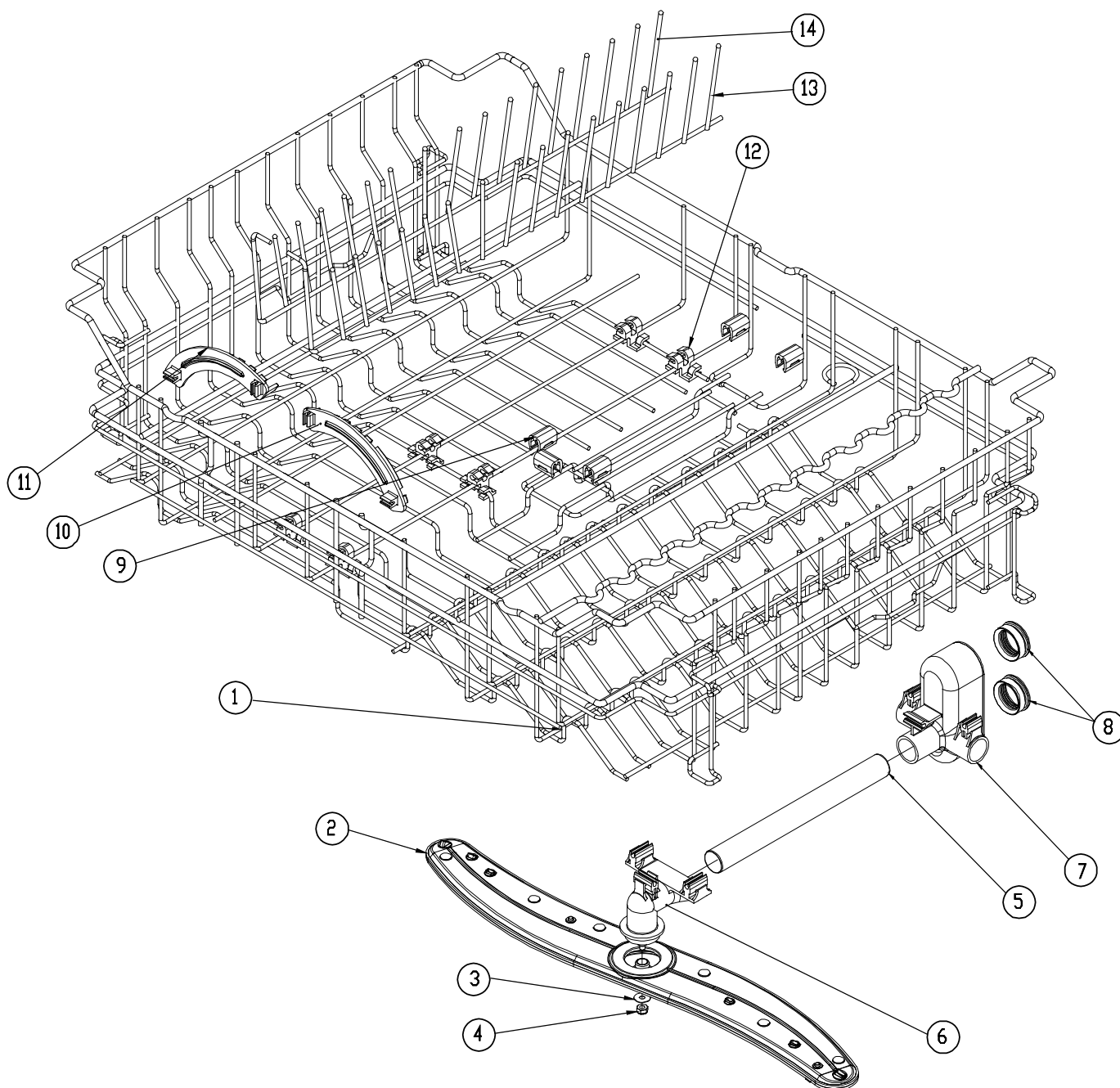
<sup>1</sup>Order as kit # 700993, includes item 1, sump gasket and sump locking nut.

<sup>2</sup>Order as kit # 700992, includes items 22 and 24.

<sup>3</sup>Order as kit # 100555, includes item 23, pressure switch, pressure switch bracket, hose and 2 screws.



# ED/ID30 Dishwasher Upper Rack Assembly



Item	Part #	Description
1	100979 <sup>3</sup>	Rack, Upper, 30", Later Version <sup>3</sup>
2	92055	Wash Arm, Upper
3	83704	Washer, Flat
4	83687	Nut, #8-32, SS
5	72482	Tube between Spinners
6	92090 <sup>2</sup>	Fitting, Upper, Spray Arm <sup>2</sup>
7	92123 <sup>1</sup>	Receptacle, Upper, Adjustable <sup>1</sup>
8	72591 <sup>1</sup>	Water Receptacle, Grommet <sup>1</sup>
9	72086 <sup>2</sup>	Clip, Snap-In <sup>2</sup>
10	72134	Tine Receiver, RH

Item	Part #	Description
11	72081	Tine Receiver, LH
12	72080	Holder, Tine Type-A
13	66929	Dish Rack, Upper, RH, Adjustable
14	66930	Dish Rack, Upper, LH, Adjustable

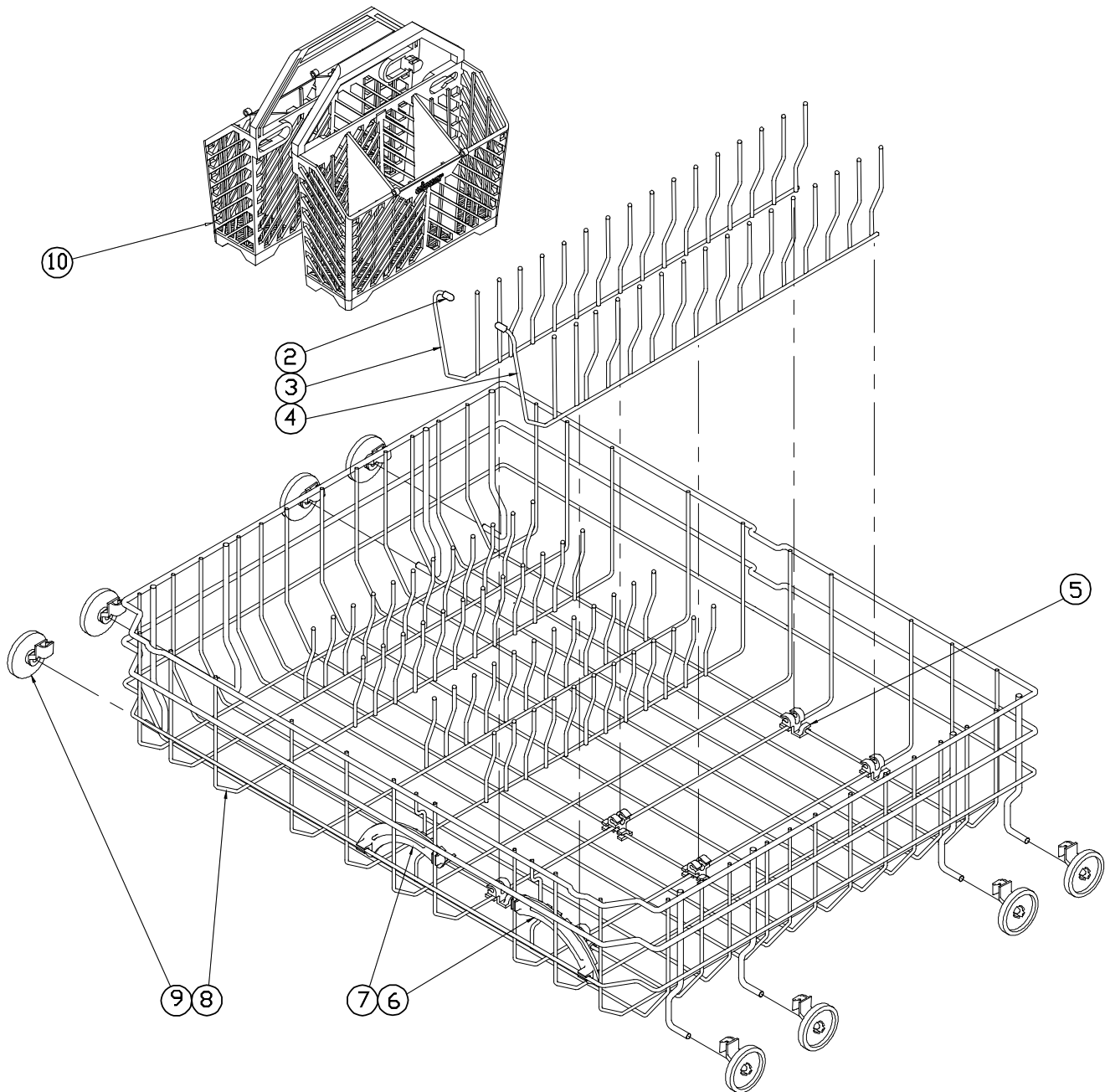
<sup>1</sup>Order as kit # 700994, includes items 7 and 8.

<sup>2</sup>Order as kit # 701175, includes items 6 and 9.

<sup>3</sup>Part number 100979 is not used on model ED30 revision A and B. The upper rack for revision A and B has been redesigned. The above noted versions require replacement of the complete upper rack assembly with slides attached, part number 106543-01. If the rack and slides have not been replaced previously, retro-fit kit part number 106544, is also required to install the new rack assembly.

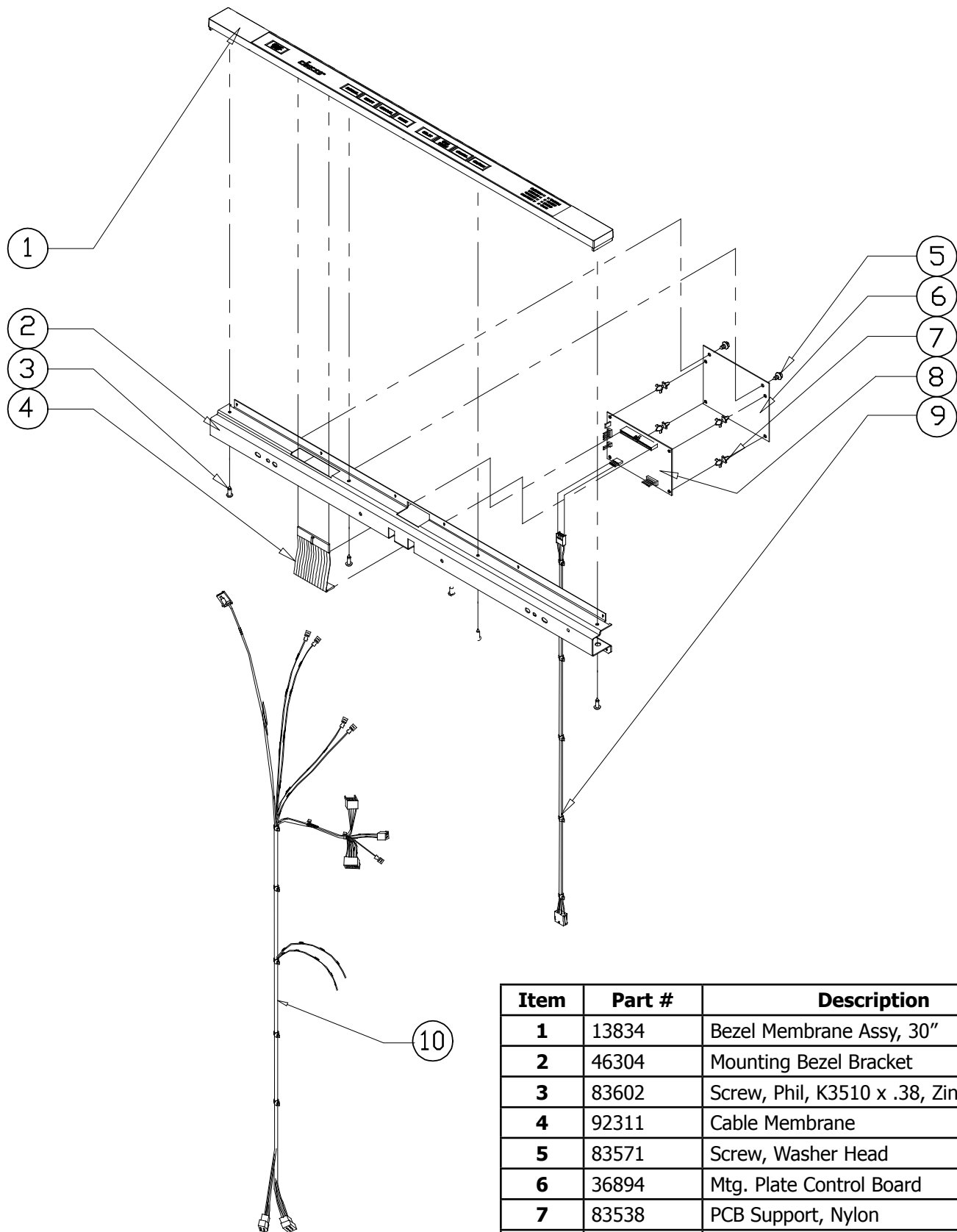
**dacor**

# ED/ID30 Dishwasher Lower Rack Assembly



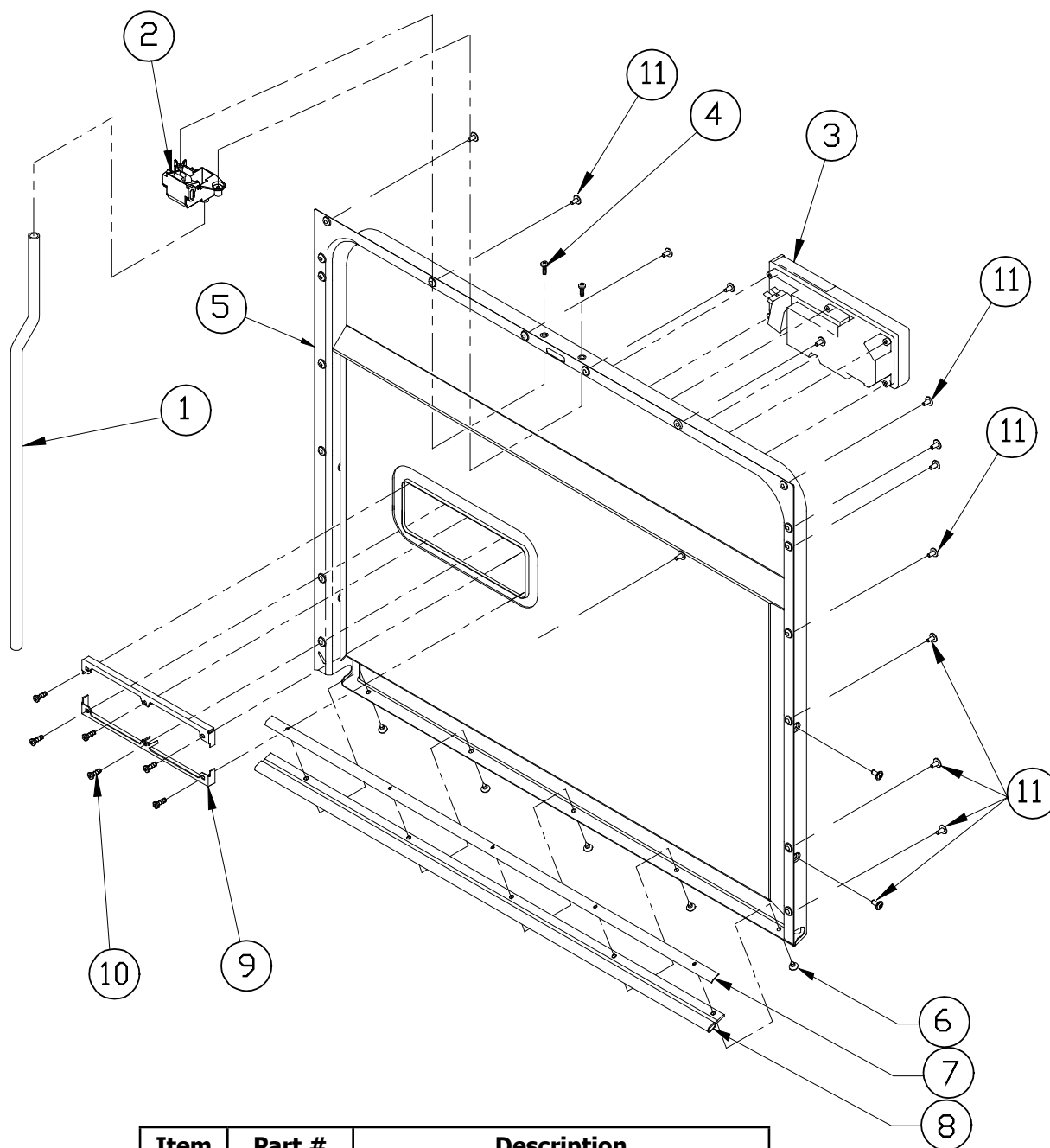
Item	Part #	Description
<b>1</b>	13826	Lower Rack Assy. (items 2-9)
<b>2</b>	Non-Replaceable	Tine Cap, Blue
<b>3</b>	66931	Dish Rack Lower, LH Adjustable
<b>4</b>	66932	Dish Rack Lower, RH Adjustable
<b>5</b>	72080	Holder, Tine-Type A
<b>6</b>	72134	Tine Receiver, RH
<b>7</b>	72081	Tine Receiver, LH
<b>8</b>	92266	Rack, Lower, 30"
<b>9</b>	92285	Assy, Roller
<b>10</b>	72593	Silverware Basket Assy. (2 per unit)

# ED/ID30 Bezel/Control Board Assembly



Item	Part #	Description
1	13834	Bezel Membrane Assy, 30"
2	46304	Mounting Bezel Bracket
3	83602	Screw, Phil, K3510 x .38, Zinc
4	92311	Cable Membrane
5	83571	Screw, Washer Head
6	36894	Mtg. Plate Control Board
7	83538	PCB Support, Nylon
8	700458	Power/Control Board Kit
9	92318	Wire Harness, Control Board
10	92264	Wire Harness, Door

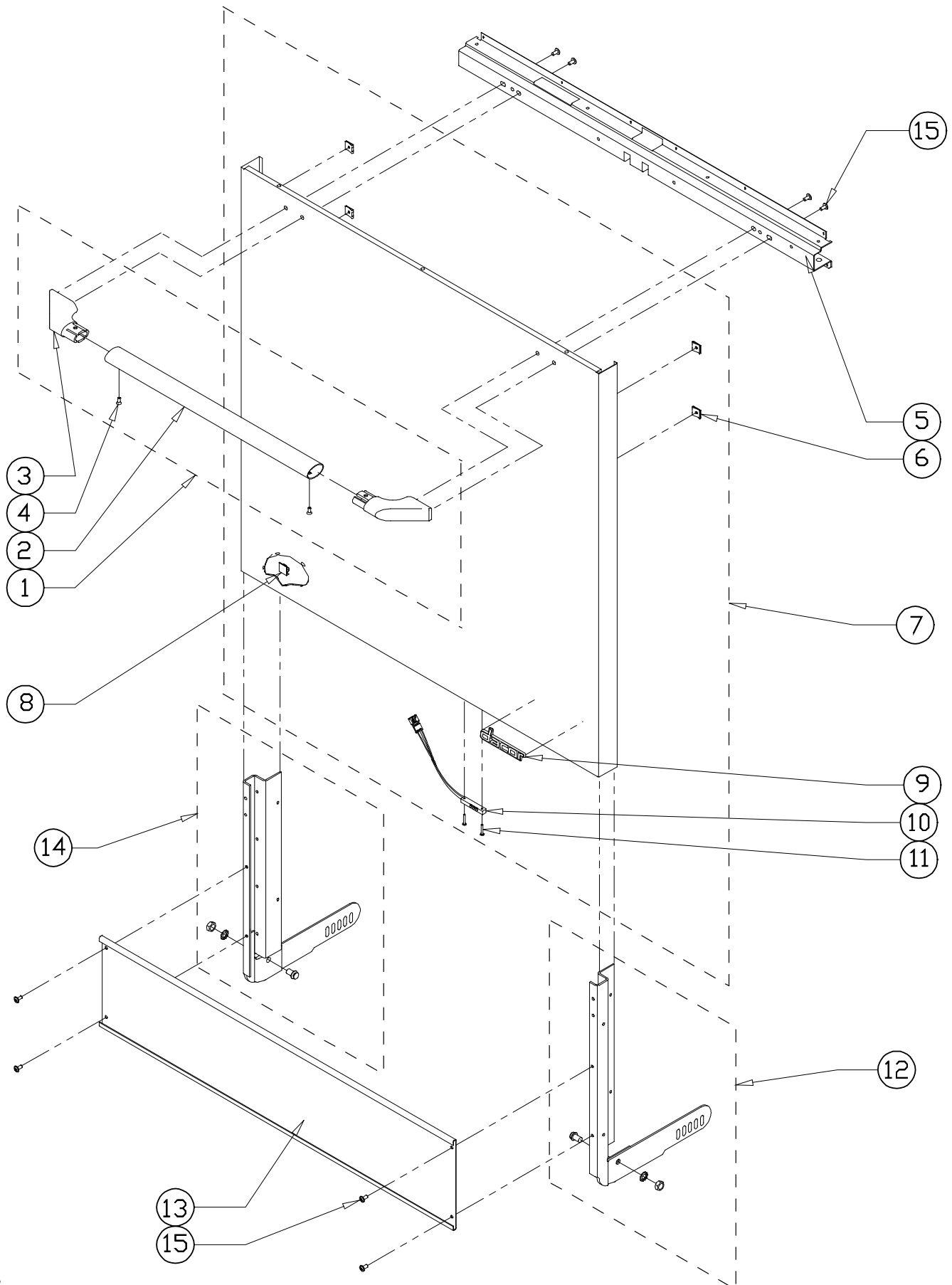
# ED/ID30 Dishwasher Door Liner Assembly



Item	Part #	Description
1	72333	Hose, Latch Drain
2	700268	Door Latch Assy, w/ Connectors
3	72041	Detergent Dispenser
4	83607	Screw, M40 x 12mm
5	36589	Door Liner
6	83724 <sup>1</sup>	Screw, Phil Pan, #8 x 1/4*
7	36856 <sup>1</sup>	Bracket, Door Seal MTG, 30"*
8	72318 <sup>1</sup>	Seal, Bottom Door, 30"*
9	46146	Dispenser Bracket
10	83653	Screw, #8 x 1/2"
11	83604	Screw, Washer HD, #10-32 x 3/8"

<sup>1</sup>Order as kit # 701199, includes items 6, 7 and 8 (Qty. 5).

# ED/ID30 Dishwasher Outer Door Assembly



# ED/ID30 Dishwasher Outer Door Parts

Item	Part # ED30BC	Part # ED30BR	Part # ED30CH	Part # ED30CP	Part # ID30	Description
1	13858SBC	13858SBR	13858SCH	13858SCP	NA	Assy, Handle
2	72976	72976	72976	72976	NA	Handle, 30"
3	100390BC	100390BR	100390CH	100390CP	NA	End Cap, Door Handle
4	83669	83669	83669	83669	NA	Screw, #6-32 x 5/16", End Cap
5	46304	46304	46304	46304	46304	Brkt Bezel Mounting, 30"
6	83658	83658	83658	83658	83658	Clip, U-Type
7	100548	100549	100548	100550	100551	Service Assy, Door Skin
8	83718	83718	83718	83718	83718	Heyco Clip #3636
9	72511CH	72511CH	72511CH	72511CH	NA	Dacor Logo, Chrome
10	72487 <sup>1</sup>	72487 <sup>1</sup>	72487 <sup>1</sup>	72487 <sup>1</sup>	NA	LED <sup>1</sup>
11	83611 <sup>1</sup>	83611 <sup>1</sup>	83611 <sup>1</sup>	83611 <sup>1</sup>	NA	Screw, Phil, #2 x 1/2" <sup>1</sup>
12	100552	100552	100552	100552	100552	Service Assy, Hinge Assy, Right
13	36849	36849	36849	36849	36849	Door Brace, 30"
14	100553	100553	100553	100553	100553	Service Assy, Hinge Assy, Left
15	83604	83604	83604	83604	83604	Screw, #10-32 x 3/8"
<sup>1</sup> Order as kit # 701200, includes LED and 2 screws.						